

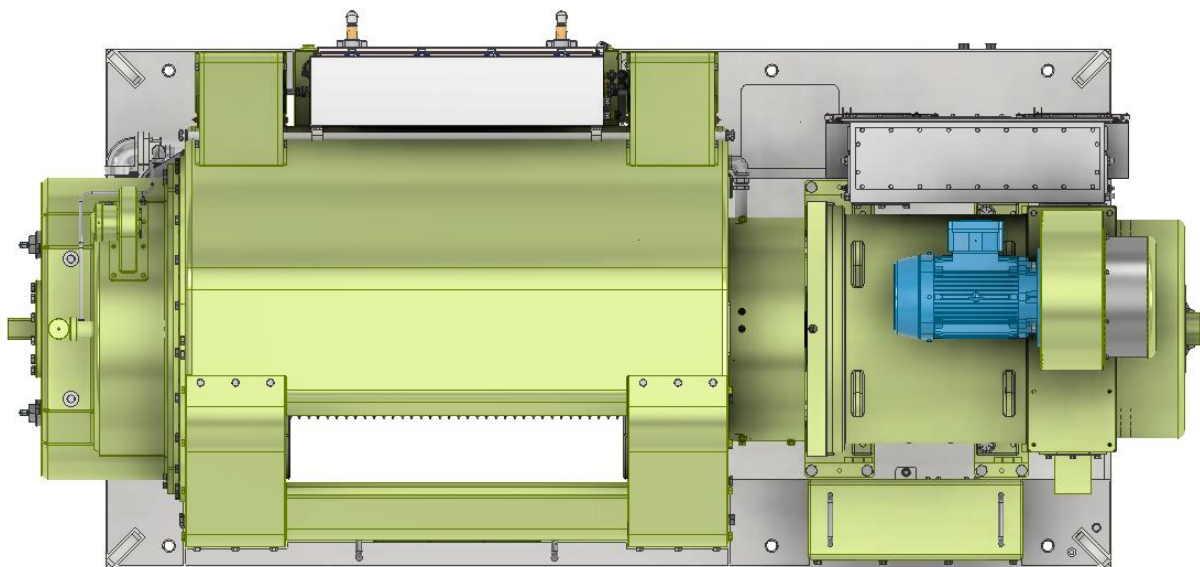
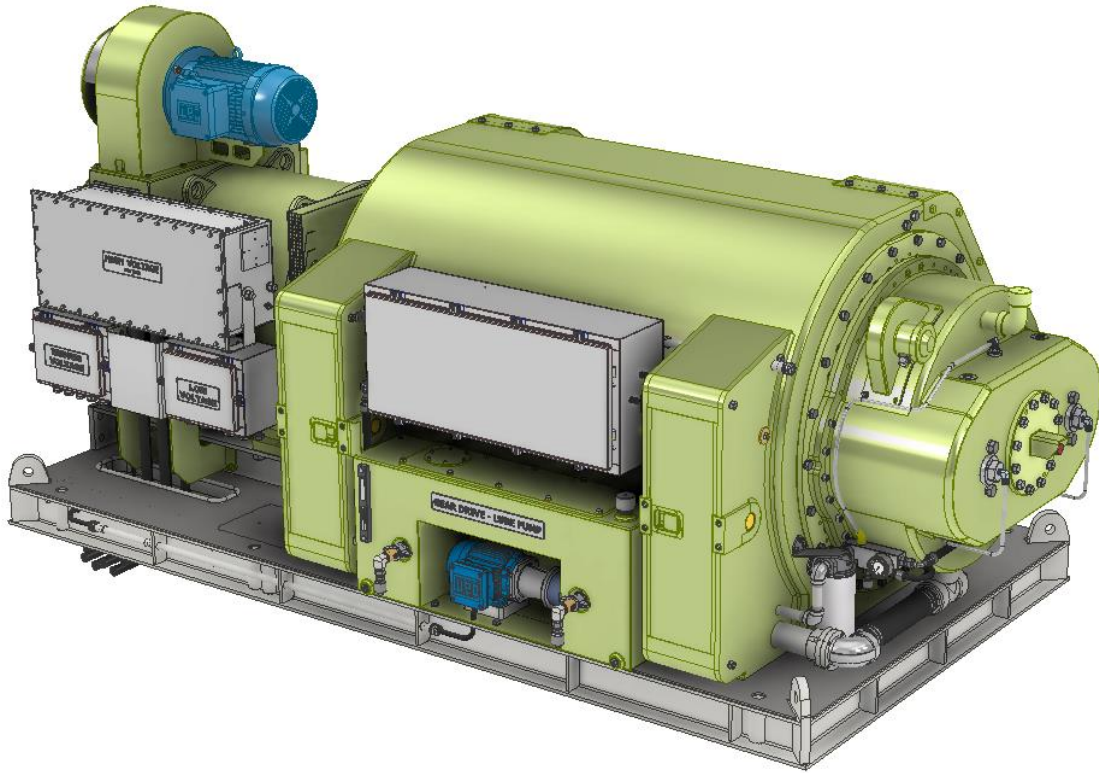
RIGMASTER MACHINERY LTD.

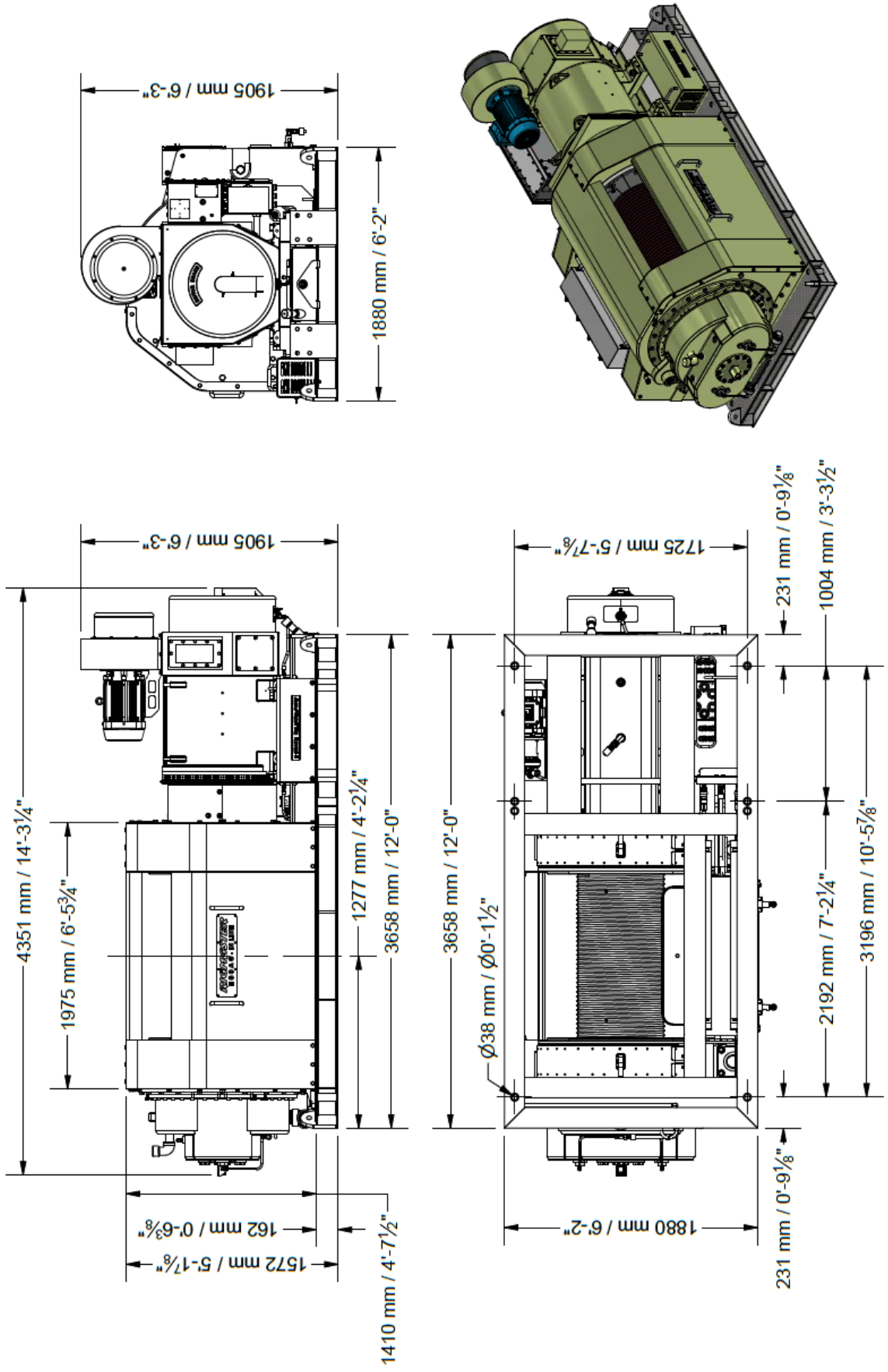
Model: E80AC In-line Drawworks

SPECIFICATIONS

Input Power	1,500 hp AC Motor
Max Single Line Pull	80,000 lbs
Gearbox	2-Stage Internal Gear Box
Drilling Line Size	1-1/4"
Drawworks Sidewalls	1" Thick 50WT steel
Drum	24" x 47-3/4" Long (l/l of Wear plates)
Drum Wear Plates	3/4" Bolt-on abrasion resistant steel

Layout





FOOT PRINT VIEW

STANDARD FEATURES

- Triple Braking System
 - AC motor (Dynamic)
 - Rotor brake (Static & Emergency)
 - Band brakes (Static & Emergency)
 - Rigmaster Hydraulic Brake Actuators
 - Asbestos free brake blocks
- 2-Stage Internal Gearbox
 - Designed for high input speeds and heavy forward/reverse shock loading
- All moving components are oil lubricated with a pressure fed, filtered system complete with heater, thermostat and cooler
- Rigmaster's intrinsically safe, maintenance free coupling
- Rigmaster's onboard brake control box and hydraulic system for the band brakes
- Specialty tools box
 - Including all the tools
- Provisions for shaft encoders
 - AC motor
 - Drawworks drum
- Sandblasted, primed and painted with customer specified paint and color)
- Engineering certifications according to API 7K
- Welded according to CSA W59 and W47.1
- Operations, parts, and maintenance manual