

# RIGMASTER MACHINERY LTD.

## Model: 1500 RMP-6-PLEX

Canadian Patent Number 2,737,321

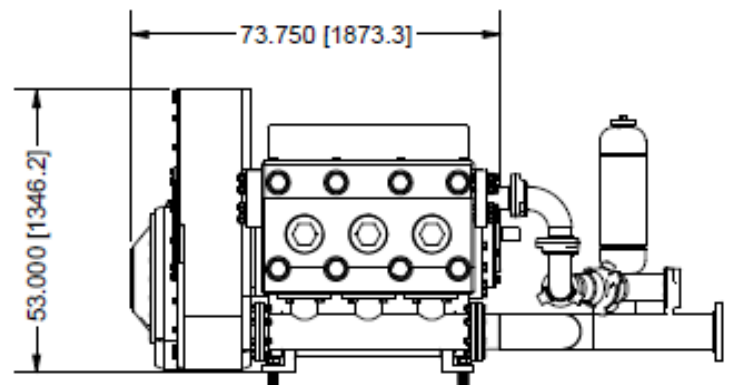
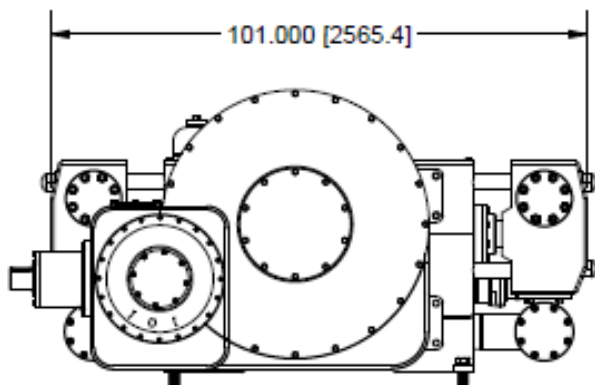
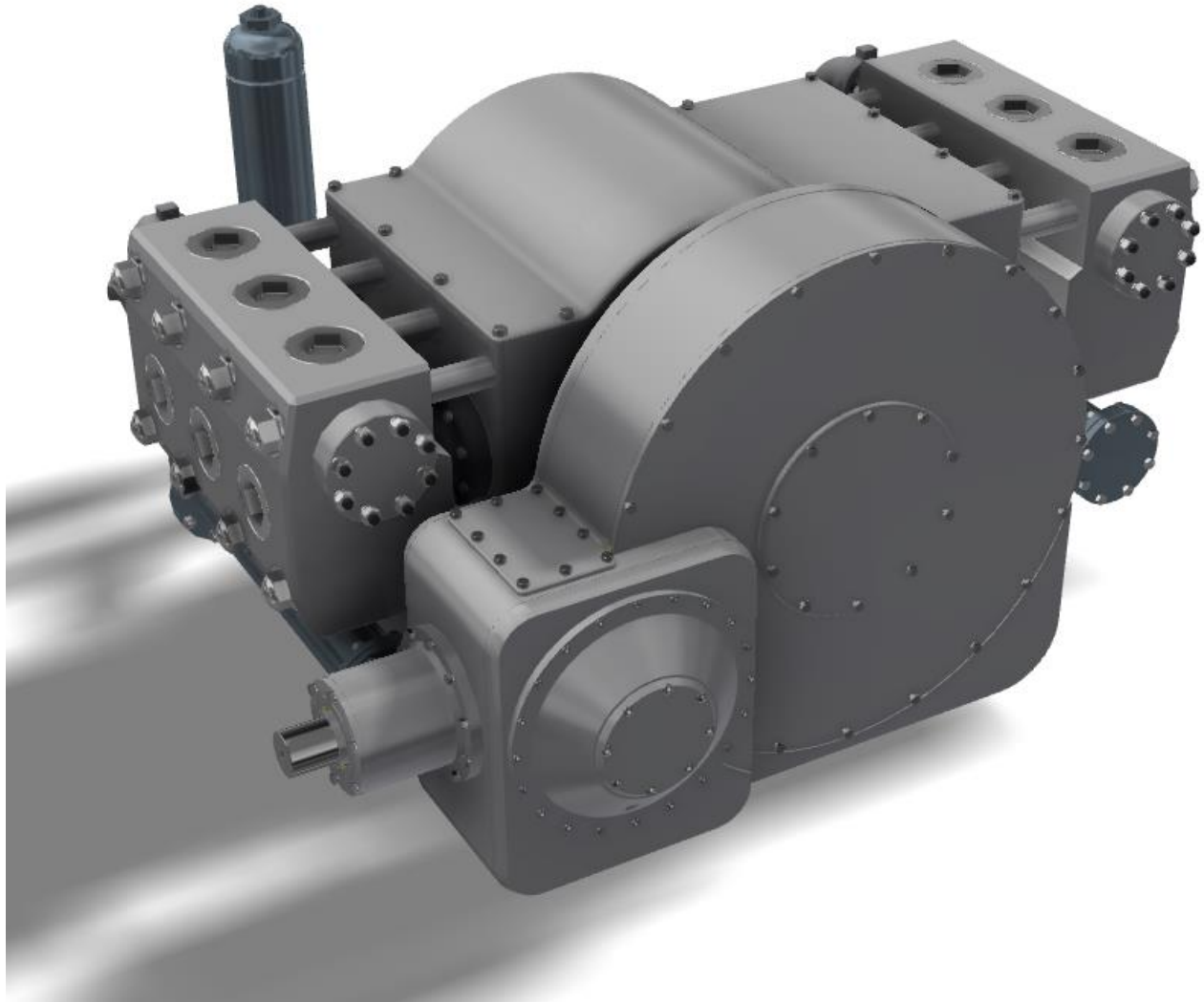
US Patent Number US 9,011,111 B2

SPECIFICATIONS	Projected Continuous Duty
Power Input	1,500 hp
Max rpm	175 rpm
No. of Plungers	6
Stroke Length	7.5 in (Total 45in)
Weight (as shown)	32,000 lbs (Pump, gearbox, and manifolds)
Gear ratio	Dependent on input power and the customer's desired pressure and flow rate
Max Pressure	(Half sizes are also available)
4" Plunger/Piston	8,898 psi
5" Plunger/Piston	5,694 psi
6" Plunger/Piston	3,954 psi
Max Flow Rate	
4" Plunger/Piston	428 US GPM
5" Plunger/Piston	669 US GPM
6" Plunger/Piston	964 US GPM

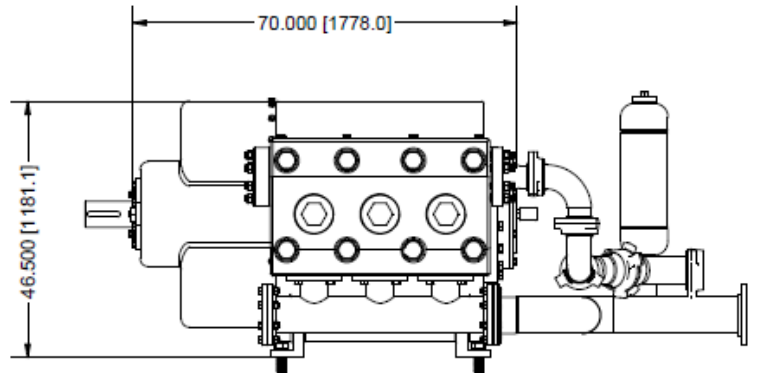
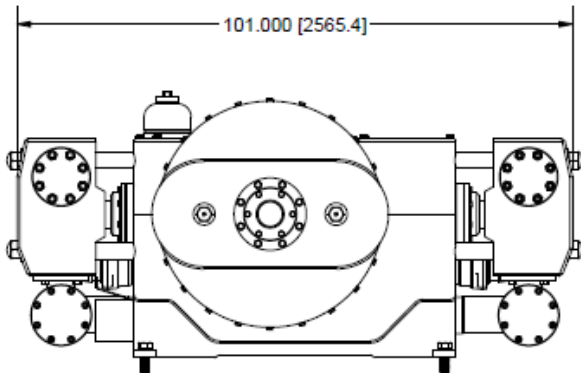
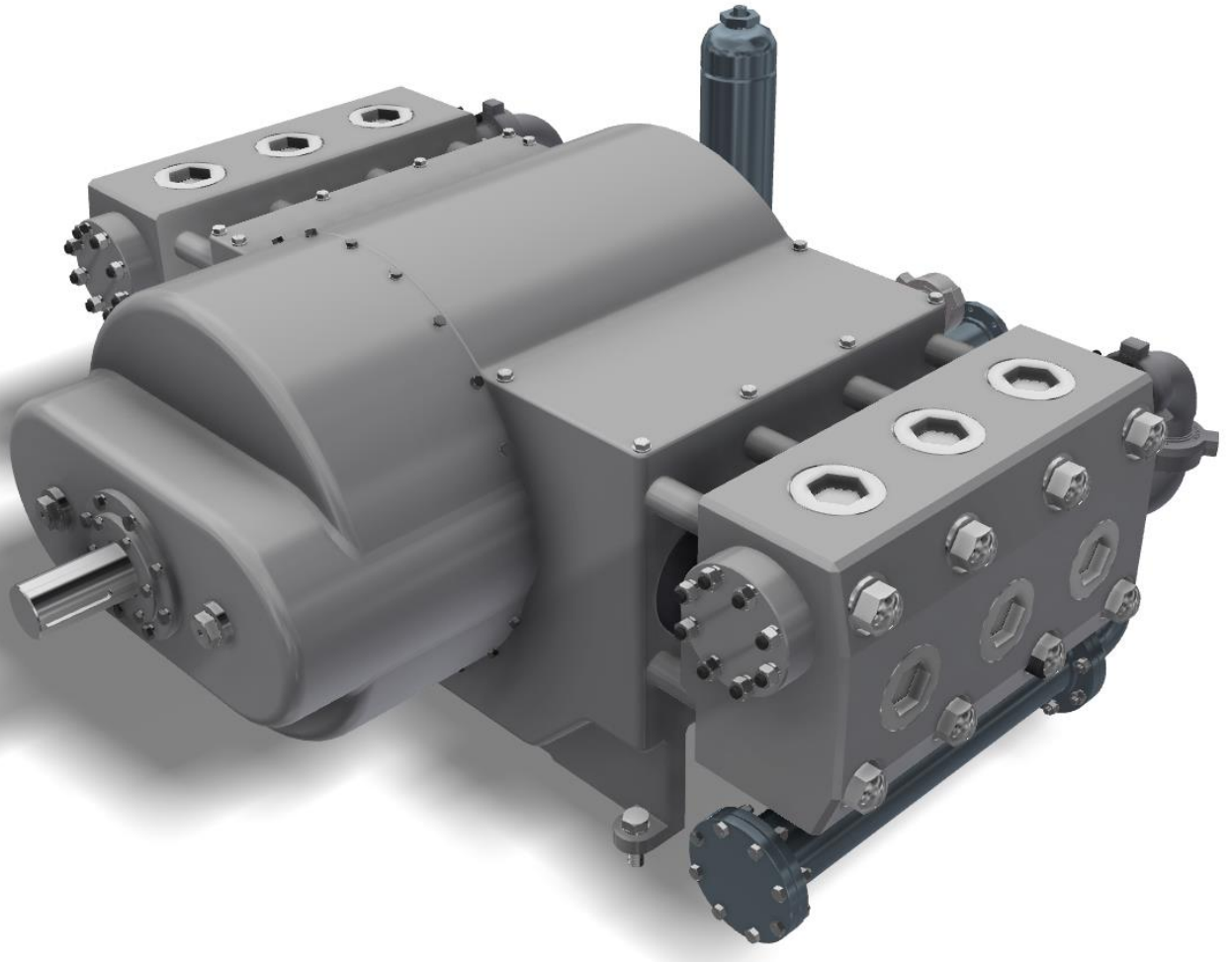
## Layouts / Dimensions

---

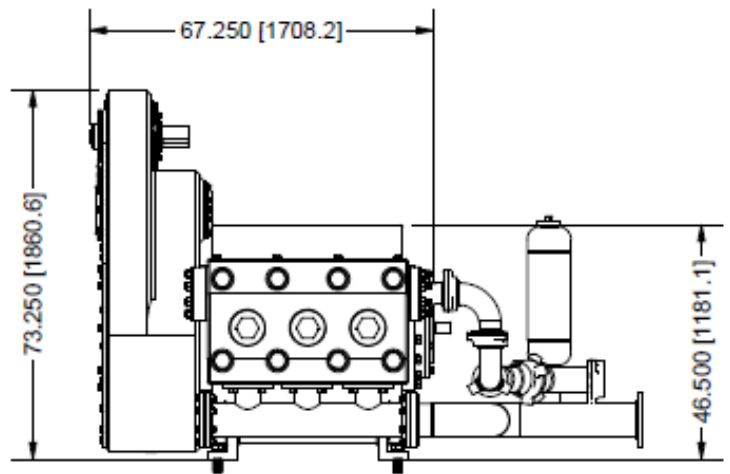
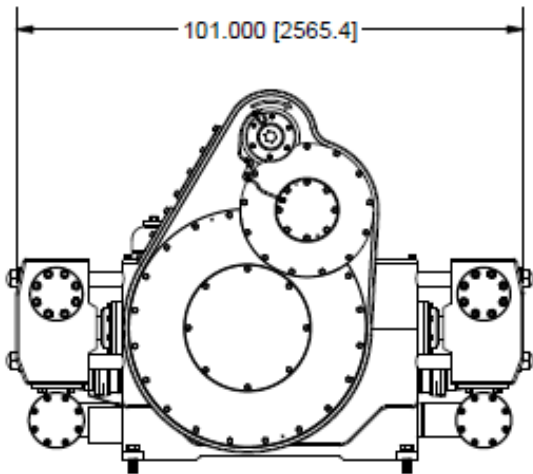
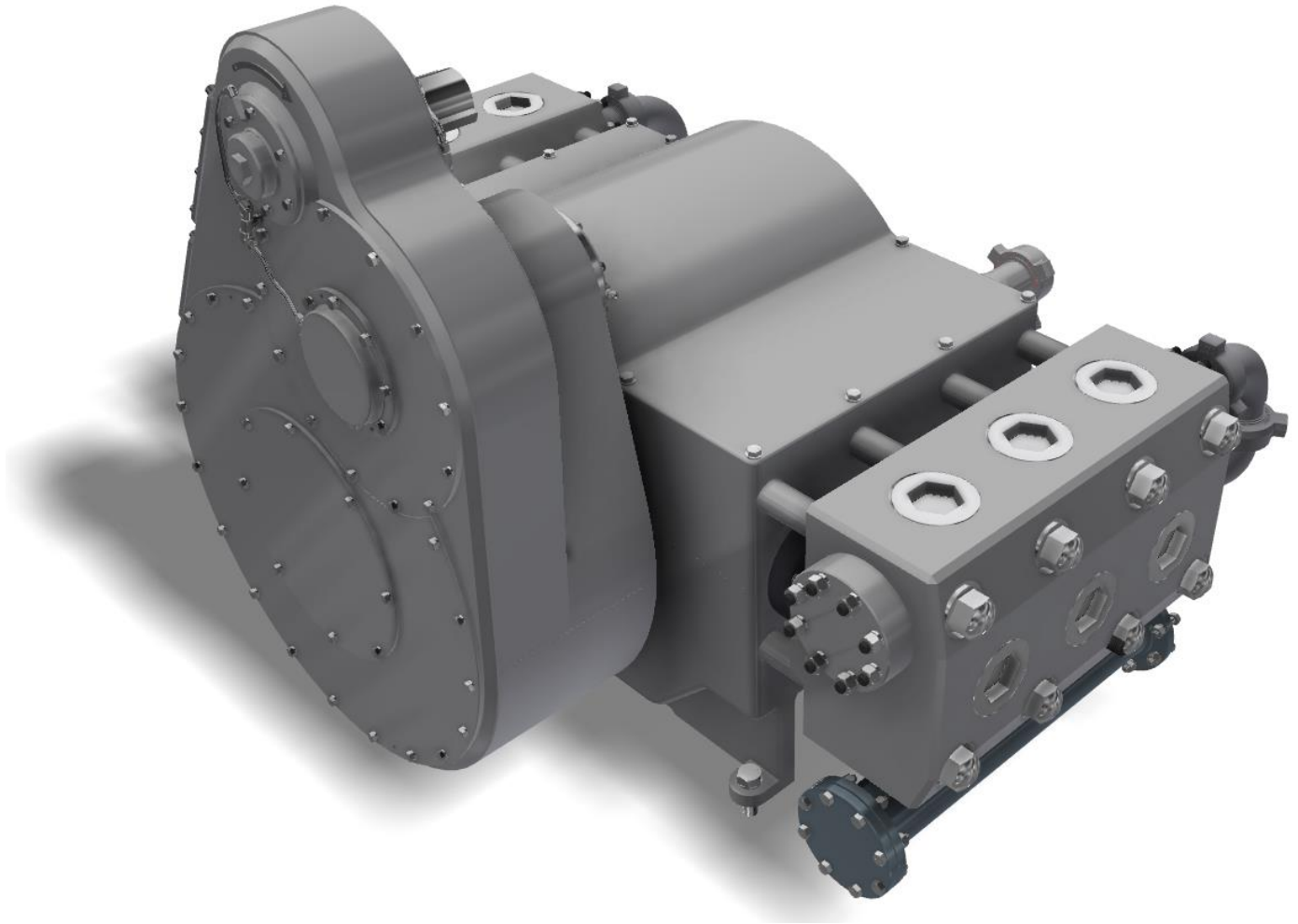
Right Angle Drive Arrangement:



T-Style Drive Arrangement:



Top Mount Drive Arrangement:



## STANDARD FEATURES

---

- Forged AISI 4340 eccentric-style crankshaft (Reducing high stresses inherent in offset/automotive style crankshafts.)
- All bearings and wear components are oil lubricated and pressure fed through a dual lubrication system.
- Frame is of rigid design which enables us to accommodate the twisting and flexing of trailers while not effecting the pump.
- Stainless or Carbon steel fluid ends can be customized to fit the customers' packings, valves, etc.
- All fluid end parts load from the front, greatly simplifying maintenance and reducing downtime.
- Customizable suction and discharge manifolds.
- Power wrench with custom drive enabling quick assembly/disassembly of fluid end parts.
- Two eco-trays under the pony rods allowing the user to continue running in the event of a leak.