

RIGMASTER MACHINERY LTD.

Model: E-1000 Drawworks

The Rigmaster Machinery Ltd's E-1000 Drawworks is an inline design with three hoisting speeds, a unitized rotary and a two-speed rotary drive.

Maximum Hoisting Capacities (lbs) (Approx.)

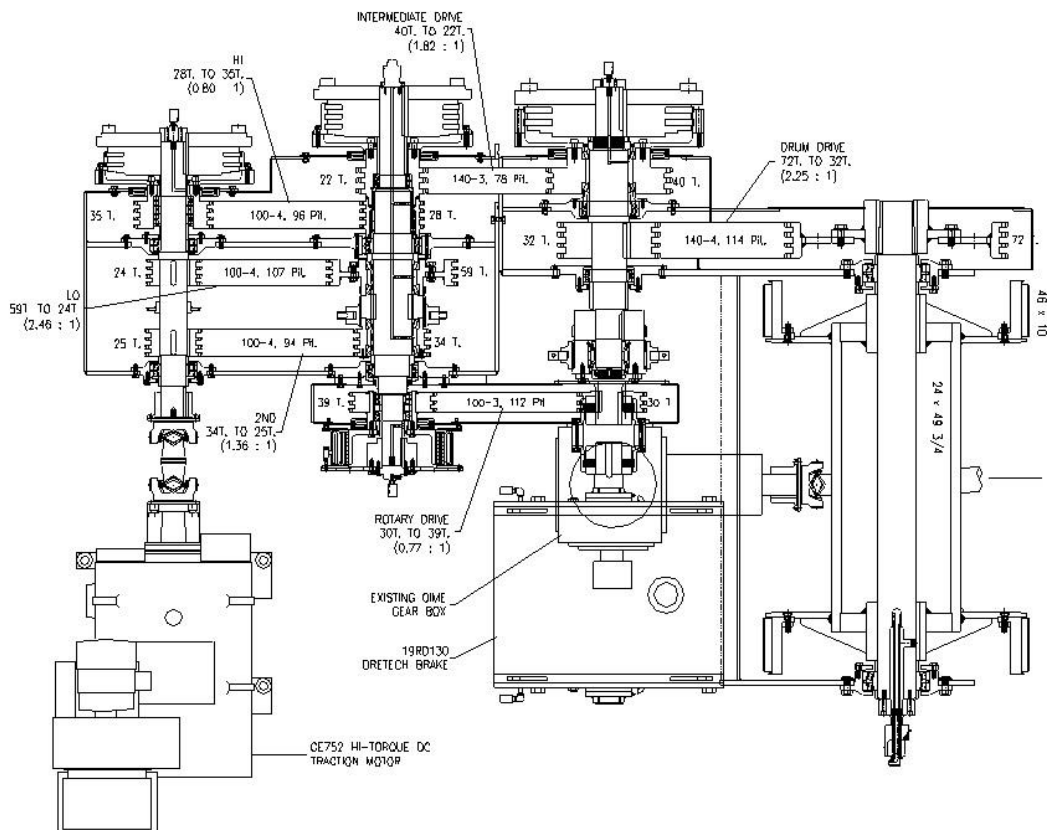
(Based on 1 motor = 1800 amps)

8 Lines	10 Lines	12 Lines
527,000	635,000	734,000

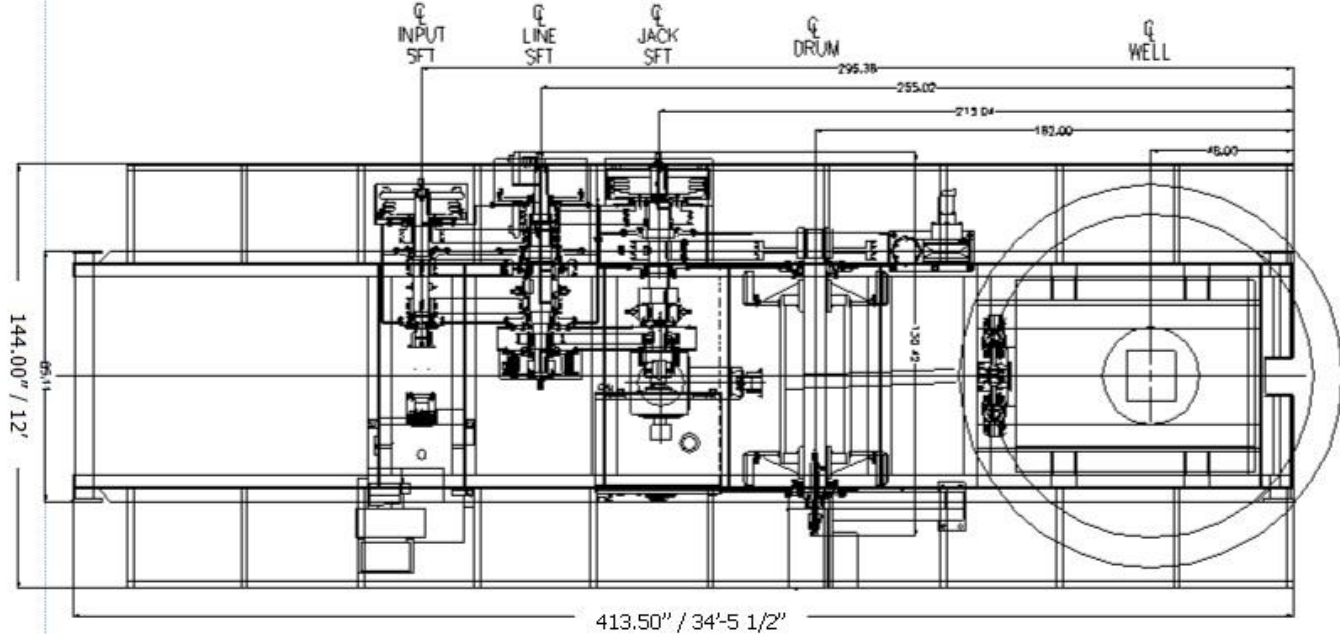
SPECIFICATIONS

Input Power	1000 hp
Drum Size (in)	24 x 49-3/4
Brake Rims (in)	46 x 10
No. of Drum Speeds	3-F/R
No. of Rotary Speeds	2
Auxiliary Brake	19RD130 Eddy Current Brake
	<ul style="list-style-type: none"> • Drum - 230 Disc Type • Master - 324 Disc Type • HI - 224 Disc Type • Rotary - 16VC600
Clutches	
Rotary Brake	Caliper Type
Drill Line Dia. (in)	1-1/4 or 1-3/8
Drum Shaft Dia. (in)	7
Rigmaster	Gear Box
Rotary Drive	Optional

Layout



OFF-DRILLER'S SIDE



DRILLER'S SIDE

